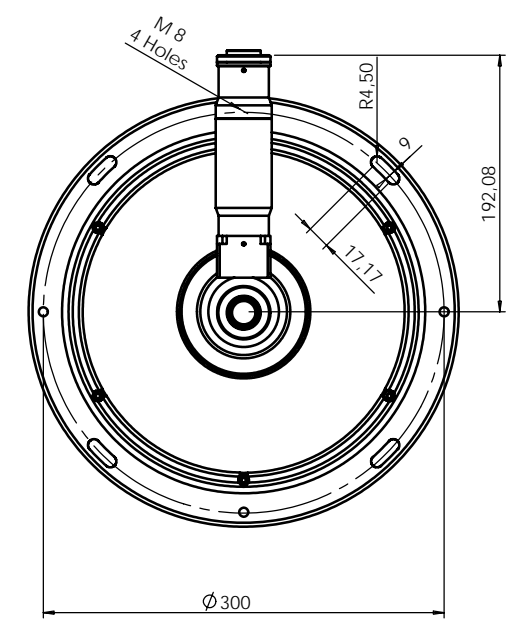
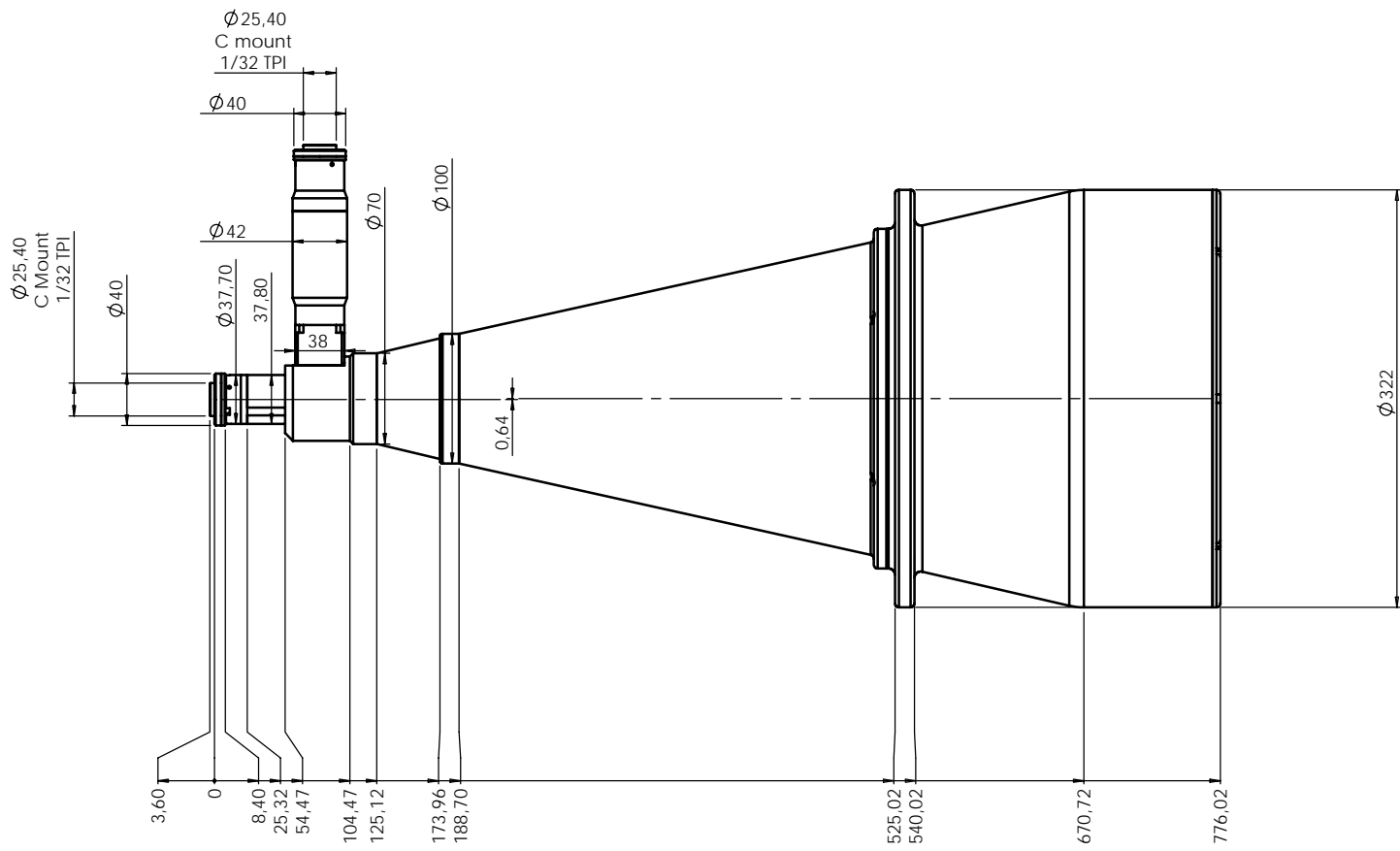


Rev No.	Description	Date	Name
A	Layout	14/12/11	A. Bnà



Material	N.A.	Mass	19.4 Kg.	Scale	1:4
Surface treatment	N.A.	Project-Prod Item/Instrument TCDP 4X 240			
Geometrical tolerance (ISO 2768-2)		Class	K	Undimensioned bevels	1x45°
Linear tolerance (ISO 2768-2)		Class	m	Undimensioned radii	R 0.5
0.5	>3-	>6-	>30-	>120	>400-
+3	6	30	120	+400	1000
±0.1	±0.1	±0.2	±0.3	±0.5	±0.8
					±1.2
					±2
Date		Name			
Designed	14/12/11	A. Bnà			
Draw	14/12/11	A. Bnà			
Checked	X	C. Sedazzari			
Drawing No.		Sheet			
16329-0-A		1/1			
Reproduction forbidden without specific authorization					
OPTO ENGINEERING S.r.l. - 46100 Mantova Italy - Via Cremona, 29/2 - Tel +39 0376 263525 - e-mai: info@opto-engineering.com - http://www.opto-engineering.com					

D  
C  
B  
A

D  
C  
B  
A